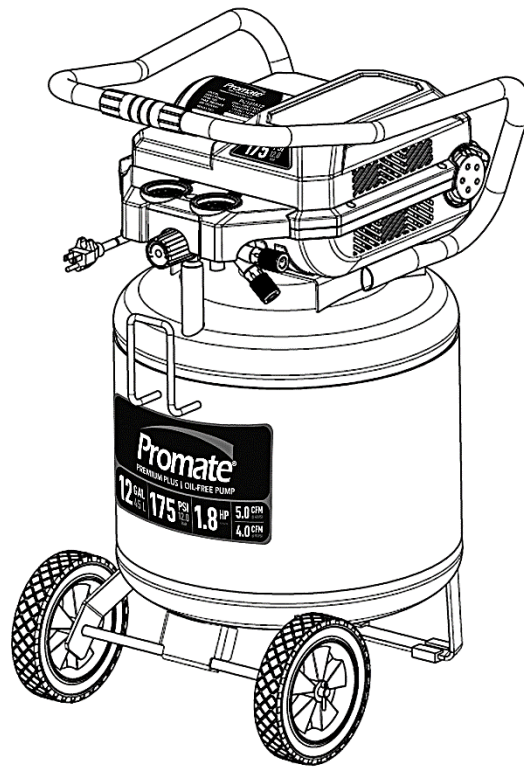


Promate®

Operator Manual



AIR COMPRESSOR

IMPORTANT – Please make certain that persons who are to use this equipment thoroughly read and understand these instructions and any additional instructions provided prior to operation.

Record the model and serial numbers of your Generator below:

Model No. _____ Serial No. _____

FOREWORD

Thank you for purchasing our product. This operator manual is for proper handling, minor checking and maintenance of the air compressor. Before using your air compressor: Please read these instructions completely and carefully in order to make the best use of it as well as operate it safely. Due to constant efforts to improve our products, certain procedures and specifications are subject to change without notice, if you have any questions, please contact Promate Service.











CONTENTS

1	Safety Precautions	3
	2-1 Parts Description	4
2	Key Parts Diagram	6
3	Tool Compatibility Chart	7
4	Important Information	8
5	Product Features	8
6	Assembly	8
7	Operation	8
	7-1 Before Starting	8
	7-2 Starting the Compressor	9
	7-3 Shutting Down the Compressor	10
	7-4 Draining the Tank	10
8	Maintenance and Storage	11
9	Troubleshooting	12
10	Service Information	13
	Air Compressor Exploded View	14

1. Safety Precautions

When handling this unit, please keep to the following matters. Please make sure you review each precaution carefully. You must also make sure that the procedure, work method, or operating technique that you choose does not render the compressor unsafe.

Safety Symbols and Meanings

V	Volts	Voltage
A	Amperes	Current
Hz	Hertz	Frequency (cycles per second)
W	Watts	Power
~	Alternating current	Type of current
---	Direct current	Type of characteristic of current
n_0	No-load speed	Rotational speed, at no load
lbs.	Pounds	Weight
.../min	Per minute	Revolutions, strokes, surface speed orbits, etc. per minute
	Class II construction	Double-insulated construction
	Read the operator's manual	To reduce the risk of injury, read and understand operator's manual
	Wear safety glasses	Operation of power tool can result in foreign objects being thrown into the eyes
	Wear respiratory protection	Use of this tool can generate dust which may cause respiratory injury
	Wear hearing protection	Noise from this product can contribute to hearing loss
	Wear gloves	Wear gloves to reduce risk of injury
	Safety Alert Symbol	Alerts user to warning messages
	Safety Alert Symbol: Danger	Failure to obey this warning WILL result in death or serious injury to yourself or to others
	Safety Alert Symbol: Warning	Failure to obey this warning CAN result in death or serious injury to yourself or to others
	Safety Alert Symbol: Caution	Failure to obey this warning MAY result in death or serious injury to yourself or to others

1-1 Safety Instructions

WORK AREA SAFETY

1. Keep your work area clean and well lit. Cluttered workbenches and dark areas invite accidents.
2. Do not operate power tools in explosive atmospheres, such as in the presence of flammable liquids, gases, or dust. Power tools create sparks which may ignite the dust or fumes.
3. Keep bystanders, children and visitors away while operating a power tool. Distractions can cause you to lose control.
4. Make your workshop childproof with padlocks and master switches. Lock tools away when not in use.
5. Make sure the work area has ample lighting so you can see the work and that there are no obstructions that will interfere with safe operation before using your power tool.

PERSONAL SAFETY

1. Know your power tool. Read the operator's manual carefully. Learn the power tools applications and limitations, as well as the specific potential hazards related to this tool.
2. Stay alert, watch what you are doing and use common sense when operating a power tool.
3. Do not use tool while tired or under the influence of drugs, alcohol or medication. A moment of inattention while operating power tools may result in serious personal injury.
4. Dress properly. Do not wear loose clothing or jewelry. Pull back long hair. Keep your hair, clothing, and gloves away from moving parts. Air vents often cover moving parts and should also be avoided. Loose clothing, jewelry or long hair can be caught in moving parts.
5. Avoid accidental starting. Be sure switch is in "OFF" position before plugging in. Do not carry tools with your finger on the switch. Carrying tools with your finger on the switch or plugging in tools that have the switch in the "ON" position invites accidents.
6. Remove adjusting keys or wrenches before turning the tool "ON". A wrench that is left attached to a rotating part of the tool may result in personal injury.
7. Do no overreach. Keep proper footing and

balance at all times. Proper footing and balance enable better control of the tool in unexpected situations.

8. Always secure your work. Use clamps or a vise to hold work when practical. It is safer than using your hand and frees both hands to operate tool.
9. Use safety equipment. Always wear eye protection. Dust mask, non-skid safety shoes, hard hat or hearing protection must be used for appropriate conditions.
10. Do not use on a ladder or unstable support. Stable footing on a solid surface enables better control of the tool in unexpected situations.

TOOL USE AND CARE SAFETY

WARNING

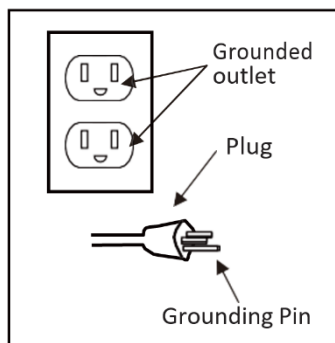
BE SURE to read and understand all instructions before operating this power tool.

1. Always use clamps or other practical ways to secure and support the work piece to a stable platform. Holding the work by hand or against your body is unstable and may lead to loss of control.
2. Do not force the tool. Use the correct tool and blade for your application. The correct tool and blade will do the job better and safer at the rate for which it is designed.
3. Do not use the tool if switch does not turn it "ON" or "OFF". Any tool that cannot be controlled with the switch is dangerous and must be repaired.
4. Disconnect the plug from the power source before making any adjustments, changing accessories or storing the tool. Such preventive safety measures reduce the risk of starting the tool accidentally.
5. Never leave the tool running. Always turn it off. Do not leave the tool until it comes to a complete stop.
6. Store idle tools out of the reach of children and other untrained persons. Tools are dangerous in the hands of untrained users.
7. Maintain tools with care. Keep cutting tools sharp and clean. Properly maintained tools with sharp cutting edges are less likely to bind and are easier to control.
8. Check for misalignment or binding of moving parts, breakage of parts, and any other condition that may affect the tool's operation. If damaged, have the tool serviced before using. Many accidents are caused by poorly maintained tools.
9. Use only accessories that are

recommended for this tool. Accessories that may be suitable for one tool may become hazardous when used on another tool.

ELECTRICAL SAFETY

1. Avoid body contact with grounded surfaces such as pipes, radiators, ranges, and refrigerators. There is an increased risk of electric shock if your body is grounded.
2. Do not expose power tools to rain or wet conditions. Water entering a power tool will increase the risk of electric shock.
3. Do not abuse the cord. Never use the cord to carry the tool or pull the plug from an outlet. Keep the cord away from heat, oil, sharp edges, and moving parts.
4. Replace damaged cords immediately. Damaged cords increase the risk of electric shock.



NOTE

This compressor should be used on a nominal 220V grounded circuit. Use a powercord that is equipped with a grounding plug. Verify that the compressor is plugged into an outlet that has the same configuration as the plug. Do not use an adaptor with this compressor.

EXTENSION CORDS

⚠ CAUTION

Keep the extensions cord clear of the working area. Position the cord so that it will not get caught on lumber, tools, or other obstructions while you are working with a power tool.

⚠ WARNING

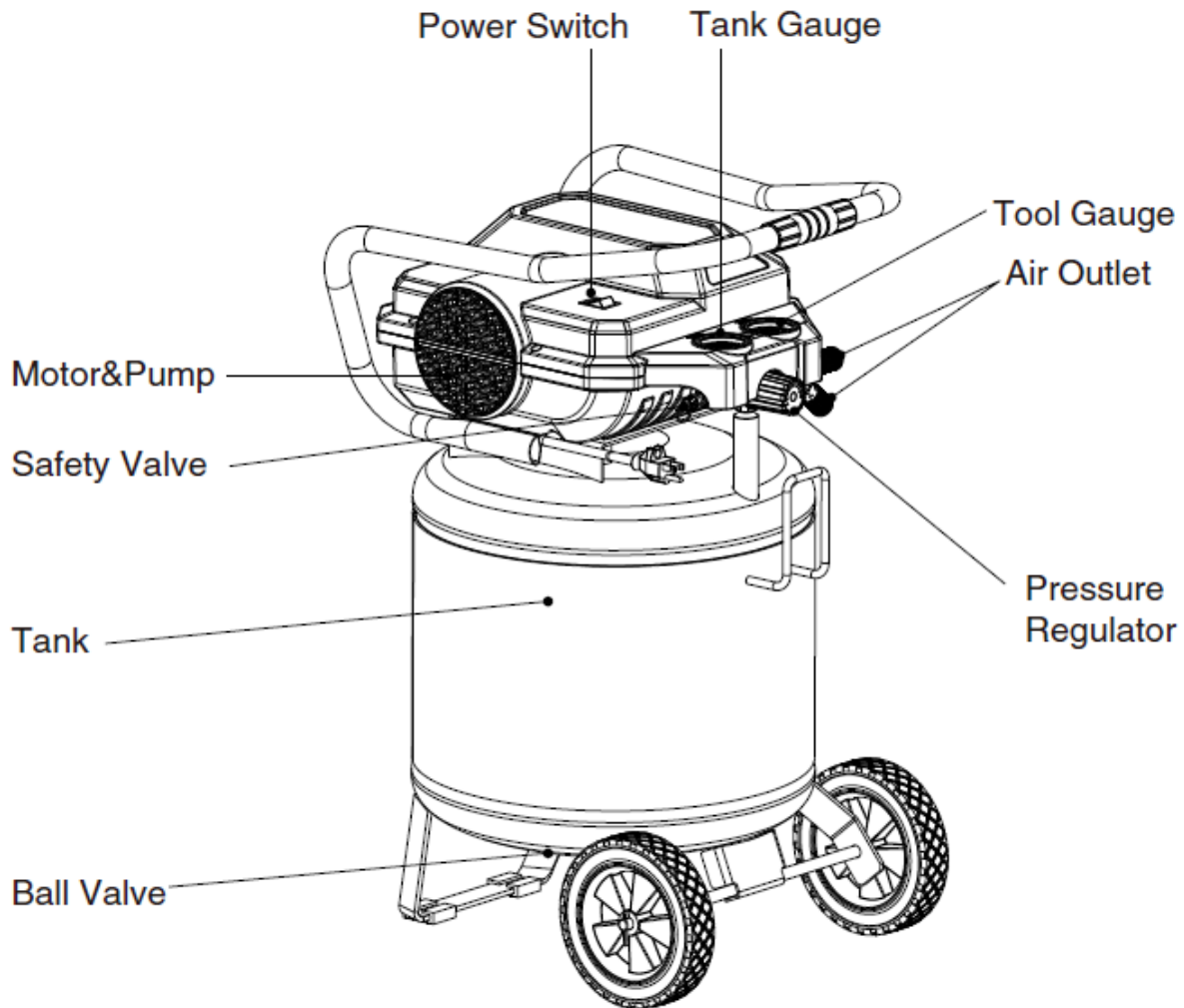
Check the extension cords before each use. Never use the tool with a damaged cord since touching the damaged area could cause electrical shock, resulting in serious injury.

As the distance from the supply outlet increases, you must use a heavier gauge extension cord. Using the extension cords with inadequately sized wire causes a serious drop in voltage, resulting in loss of power and possible product damage. Refer to the table below to determine the required minimum wire size.

MINIMUM GAUGE FOR EXTENSION CORDS					
(When using 220 volts only)					
Ampere Rating		Total Length Of Cord			
More Than	< >Less Than	25ft.	50ft.	100ft.	150ft.
0	6	18	16	16	14
6	10	18	16	14	12
10	12	16	16	14	12
12	16	14	12	Not Recommended	






















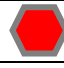
2. Key Parts Diagram

Read this owner's manual before operating your air compressor. Familiarize yourself with the location and function of the controls and features. Save this manual for future reference.



Model #:	PC121812
Motor:	220V` , 60Hz, Universal
Running Horsepower:	1.8 HP
Input Power:	1700W
Tank Size:	12 Gallon / 45 Liters
Air Delivery:	4.0 CFM @ 90 PSI
Maximum Pressure:	175 PSI / 12 BAR
Pump Design:	Oil-free
Power Cord:	SJT 16AWG 3C X1.8m
Weight:	30 kg

3. Tool Compatibility Chart

RECOMMENDED TOOL USAGE			
Refer to specific tool requirements			
Inflation/Recreation			
Air Brush			
Caulking			
Cleaning			
Nailer/Stapler			
Brad Nailer			
Spray Gun (20-45 PSI)			
Screwdriver			
Grease Gun			
Impact Wrench			
Ratchet			
Finish Nailer			
Spray Gun (30-70 PSI)			
Framing Nailer			
Flooring Nailer			
Air Drill			
Sand Blaster			
Cut-Off Tool			
Air Hammer			
	Recommended Use		Intermittent Use
			Not Recommended

SAVE THESE INSTRUCTIONS



Check the manufacturer's maximum pressure rating for air tools and accessories. The regulator outlet pressure must never exceed the maximum pressure rating.

4. Important Information

This air compressor is ideal for a wide range of jobsite applications. The 6-gallon design provides optimum pressure. It features a 1.8 HP universal motor and oil-free pump. The procedures described in this manual are solely for this 6-gallon air compressor at a maximum pressure of 150 PSI.

NOTE

Always ensure the use if appropriately matched air tools with your air compressor. Be sure that the air compressor being used can supply the appropriate volume, pressure, and delivery rate of air to the tool(s) without running continuously. Using tools or combinations void the air compressor guarantee/warranty.

5. Product Features

Electric Motor

The motor is used to power the pump. It is equipped with a thermal overload protector. If the motor overheats for any reason, the thermal overload protector will shut down in order to prevent the motor from being damaged.

Air Compressor Pump

The pump compresses the air and discharges it into the tank via the piston that moves up and down in the cylinder.

Safety Valve

This valve is used to prevent the compressor from building too much pressure. If the pressure reaches the preset level of the motor, it will automatically pop open. You can also pull the ring on the valve to open manually.

Air Pressure Regulator

The regulator is used to adjust the pressure inside the line to the tool that is being used. Turn the knob clockwise to increase the pressure and counter-clockwise to decrease the pressure.

Tank Pressure Gauge

The gauge measures the pressure level of the air that is stored in the tank. It cannot be adjusted by the operator and it does not indicate the pressure inside the line.

Tool Pressure Gauge

The gauge measures the regulated outlet pressure.

Air Outlet (Universal Coupler)

The outlet is connected to the 1/4" (6.4 mm) NPT air hose.

Tank Drain

The tank drain is used to remove moisture from the air tank after the compressor is shut off.

Air Tank

The tank is where the compressed air is stored.

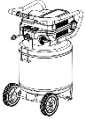

Power Cord

This compressor should be used on a nominal 220V grounded circuit. Use a power cord that is equipped with a grounding plug. Verify that the compressor is plugged into an outlet that has the same configuration as the plug. Do not use an adaptor with this compressor.

6. Assembly

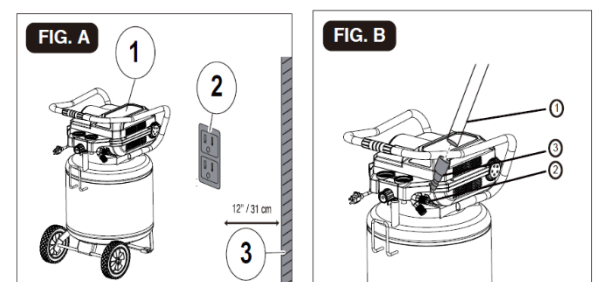
- Unpack the air compressor unit. Inspect the unit for damage. If the unit has been damaged, contact the retailer immediately.
- Check the air compressor's identification label to ensure that you have purchased the intended model and that it has the required pressure rating for its intended use.

6-1 Packaging Contents

DESCRIPTION	QTY	ILLUSTRATION
Air Compressor	1	
Owner's Manual	1	

6-2 Positioning of the Air Compressor

1. Position the air compressor (1) near an electrical outlet (2) (FIG. A).
2. The compressor must be at least 12" (31cm) from any wall (3) or obstruction, in a clean, well-ventilated area to ensure sufficient air flow and cooling (FIG. A).
3. Place the air compressor on the floor or a hard, level surface.



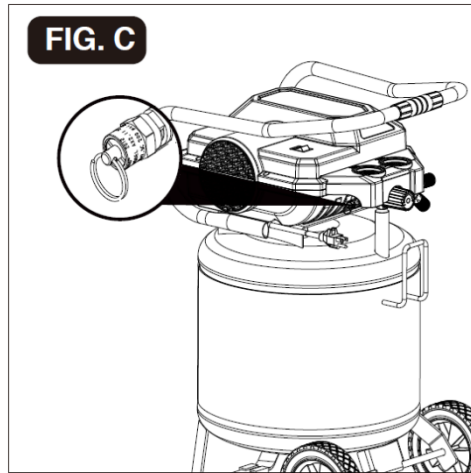
7. Operation

7-1 Before Starting

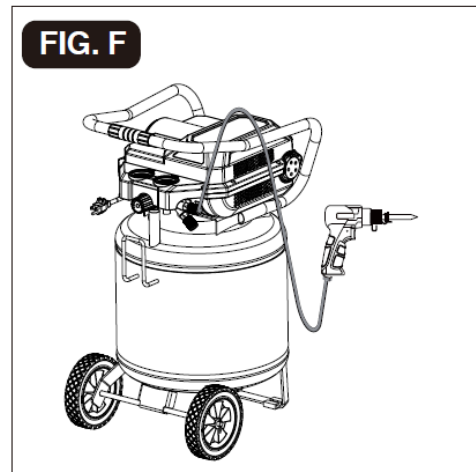
Check Safety Valve

Before starting compressor, pull the ring on the safety valve to make sure that the safety valve operates freely.

If the valve is stuck or does not operate smoothly, contact a trained service technician (**Fig. C**).

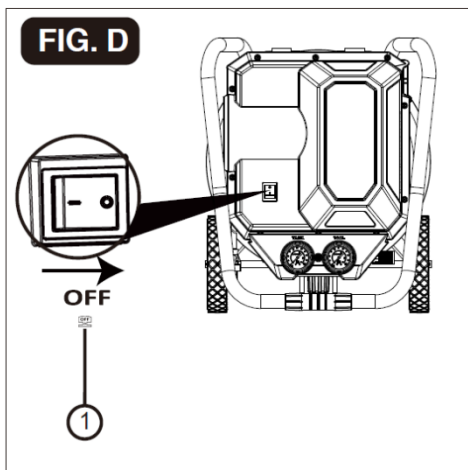


3. Attach hose and accessories (**Fig. F**).



7-2 Starting the Compressor

1. Set the power switch to the OFF position (**Fig. D**).



⚠ WARNING

High pressure air could result in death or serious injury. Never operate above maximum operating pressure of the spray gun or tool.

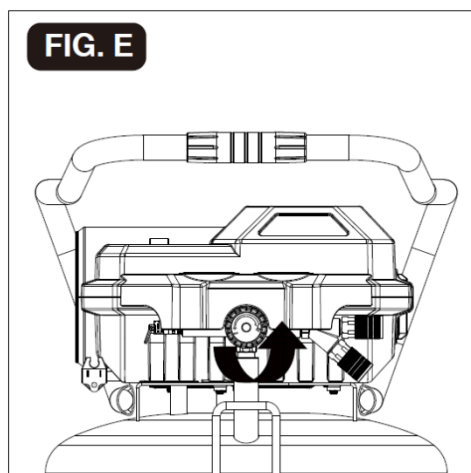
⚠ WARNING

Hot compressor surfaces could result in serious injury. Allow the compressor to cool before touching.

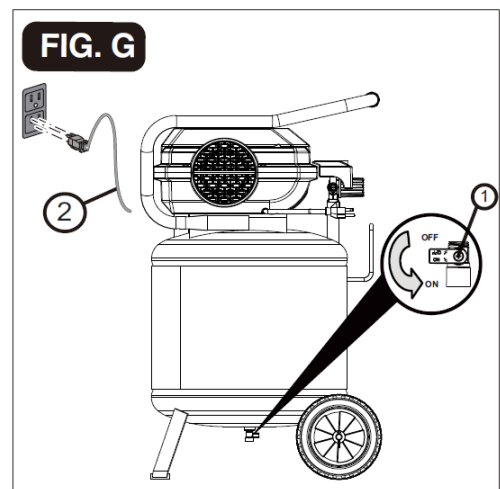
NOTE

If the pump has been transported or turned upside down (even partially), allow the pump to sit in a normal, upright position (**Fig. A**) for approximately 10 minutes before starting.

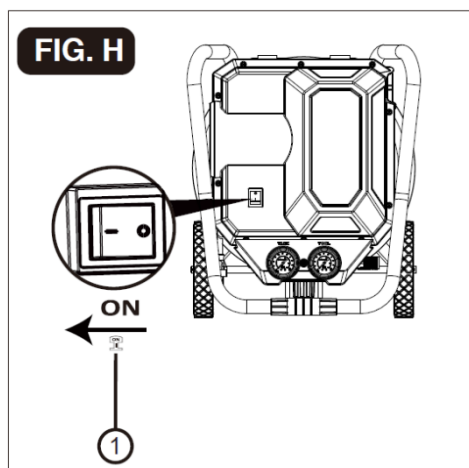
2. Turn the air pressure regulator knob counter-clockwise until it stops (**Fig. E**).



4. Close the tank drain (1). Plug-in the power cord (2) (**Fig. G**).

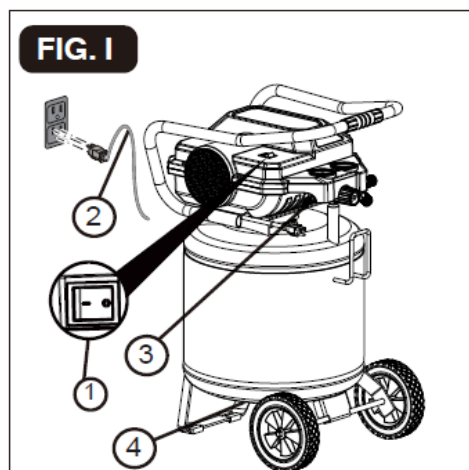


- Set the power switch to the ON position and allow the tank pressure to build. Motor will stop when tank pressure reaches cut-out pressure (**Fig H**).



7-3 Stopping the Compressor

- Set the power switch (1) to the OFF position.
- Unplug the power cord (2).
- Reduce the pressure in the tank through the outlet hose. Pulling the safety valve ring (3) and keeping it open will also reduce the pressure in the tank (**Fig. I**).
- Set tank drain (4) (**Fig. I**) to OFF to ensure tank is drained.



⚠ WARNING

Risk of serious eye injury from moisture and debris. Always wear ANSI Z87.1 safety goggles when opening tank drain.

⚠ WARNING

High pressure air could result in death or serious injury. Shut off unit, unplug and release air pressure prior to servicing.

⚠ CAUTION

High pressure air containing water condensation could result in minor or moderate injury. Do not spray at any person.

7-4 Draining the Tank

- Set the power switch to the O (**OFF**) position.
- Turn air pressure regulator knob counterclockwise to set the outlet pressure to zero.
- Pull and hold ring on safety valve, allowing air to bleed from the tank until air pressure is minimized.
- Place a suitable container under the unit to catch any water.
- Slightly tilt unit and turn tank drain counterclockwise to open.
- After the water has been drained, close the tank drain (clockwise). The air compressor can now be stored.

8. Maintenance and Storage

TASK	DESCRIPTION	SERVICE INTERNAL
Drain the tank	To prevent corrosion inside the tank, the condensation must be drained at the end of every workday. Be sure to wear protective goggles. Relieve the air pressure in the system and then open the drain valve on the bottom of the tank.	Daily
Check the relief valve	Pull the relief valve on the ring daily to ensure that it is operating properly and to clear the valve of any possible obstructions.	Daily
Test for leakage	Check all connections to see if tight. A small leak of any part (the tank, hoses, pipe connections or transfer tubes) will reduce	Monthly
Storage	Before storing the unit for a long period, use an air blow gun to clean all the dust and debris from the compressor. Disconnect and coil the power cord. Pull the pressure relief valve to release all pressure from the tank. Drain all moisture from the tank. Cover the entire unit to protect it from moisture and dust.	Before prolonged storage

WARNING



Always shut off and unplug the unit and relieve all air pressure from the system before performing.

9. Troubleshooting

PROBLEM	POSSIBLE CAUSE	SOLUTIONS
The motor will not run or start	The power cord is not plugged in.	Plug the power cord into a grounded outlet.
	The power switch is in the O (OFF) position.	Set the power switch to the ON position.
	The extension cord is the wrong wire gauge or is too long.	Check extension cord information (page 6) for the proper wire gauge and cord length.
	The motor's thermal overload protection has tripped.	Turn the air compressor off, unplug the power cord and wait until the motor has cooled down. Plug in the power cord only after the motor has cooled down, and wait for at least 5 minutes to make sure the thermal overload protector has recovered.
	A fuse has blown or a circuit breaker has been tripped.	Replace the fuse or reset the circuit breaker.
		Verify that the fuse has the proper amperage.
		Check for low voltage conditions.
	The air tank pressure exceeds the preset power switch limit.	Disconnect any other electrical appliances from the circuit or operate the compressor on a dedicated circuit.
	The safety valve is stuck open.	The motor will start automatically when the tank pressure drops below the cut-in pressure.
Electrical connections are loose.	Clean or replace the safety valve.	
The motor, capacitor, or safety valve is defective.	Contact an authorized service center.	
The motor runs continuously when the power switch is in the ON position.	The power switch does not shut off the motor when the air compressor reaches the cut-out pressure and the safety valve activates.	Contact an authorized service center.
	The compressor's capacity is not enough.	Set the power switch to the OFF position. If the motor does not shut off, unplug the air compressor. If the power switch is defective, replace it.
The regulator does not regulate the pressure.	The regulator or its internal parts are dirty or damaged.	Check the air requirements of the accessory that is being used. If it is higher than the CFM (Cubic Feet per Minute) and pressure supplied by the compressor (page 7), a larger capacity air compressor is needed. Most accessories are rated at 25% of actual CFM while running continuously.
The pressure is low or there is not enough air.	There is a leak at one of the fittings.	Replace the regulator.
	The tank drain is open.	Check the fittings with soapy water. Tighten or reseal leaking fittings (apply plumber's tape on threads). Do not over tighten.
	The air intake is restricted.	Close the tank drain.
	Prolonged excessive use of air.	Clean or replace the air filter element.
	There is a hole in the air hose.	Decrease the amount of air used.
	The tank leaks.	Check the air hose and replace it if necessary.
There is moisture in the discharge air.	The valve is leaking.	Replace the tank immediately. Do not attempt to repair it.
	There is condensation in the air tank caused by a high level of atmospheric humidity or because the air compressor has not been running long enough.	Check for worn parts and replace them if necessary.
The compressor overheats.	The ventilation is inadequate.	Drain the air tank after each use. Drain the air tank more often in humid weather and use an air-line filter.
	Cooling surfaces are dirty.	Relocate the compressor to an area with cool, dry and well-circulated air.
	The valve is leaking.	Clean all cooling surfaces on the pump and the motor thoroughly.
		Replace worn parts and reassemble using new plumber's tape.

10. SERVICE INFORMATION

HOW TO ORDER REPLACEMENT PARTS

Even quality-built equipment such as the generator you have purchased will need occasional replacement parts to maintain its good condition over the years.

To order replacement parts and consumable parts, please contact Promate Service (details below) and be ready with the following information:

1. Model No., Serial No. and all specifications that are shown on the Model No./Serial No. plate.
2. Part number or numbers as shown in the Parts List section.
3. A brief description of the trouble with the generator.

LIMITED WARRANTY

Warranty Coverage: Powertech Asia Pacific Inc., (the Company) warrants to the original retail customer that it will repair or replace, free of charge, any parts found by the Company or its authorized service representative to be defective in material or workmanship. This warranty covers the cost of replacement parts and labor for defects in material or workmanship.

Not Covered:

- Shipping/Handling charges for sending the product to the Company or its authorized service representative for warranty service. Shipping/Handling repaired or replaced products back to the customer; these charges must be borne by the customer.
- If a separate operator's manual and engine warranty from the engine manufacturer is included with this product, only that warranty will apply to the engine.
- Damage caused by abuse, accident, the effects of corrosion, erosion and normal wear and tear.

- Warranty is void if the customer fails to install, maintain and operate the product in accordance with the instructions and recommendations of the Company set forth in the owner's manual, or if the product is used as rental equipment.
- The Company will not pay for repairs or adjustments to the product, or for any costs of labor performed without the Company's prior authorization.
- Consumable parts such as battery, spark plugs, and air cleaner.

Warranty Period: One (1) year from the date of purchase on products used solely for consumer applications; if a product is used for business or commercial applications,

the warranty period will be limited to ninety (90) days from the date of purchase.

For warranty service, the customer must provide dated proof of purchase and must notify the Company within the warranty period.

EXCLUSIONS AND LIMITATIONS: THE COMPANY MAKES NO OTHER WARRANTY OF ANY KIND, EXPRESS OR IMPLIED. IMPLIED WARRANTIES, INCLUDING WARRANTIES OF MERCHANTABILITY AND OF FITNESS FOR A PARTICULAR PURPOSE, ARE HEREBY DISCLAIMED. THE WARRANTY SERVICE DESCRIBED ABOVE IS THE EXCLUSIVE REMEDY UNDER THIS WARRANTY; LIABILITY FOR INCIDENTAL AND CONSEQUENTIAL DAMAGES IS EXCLUDED TO THE EXTENT

PERMITTED BY LAW.

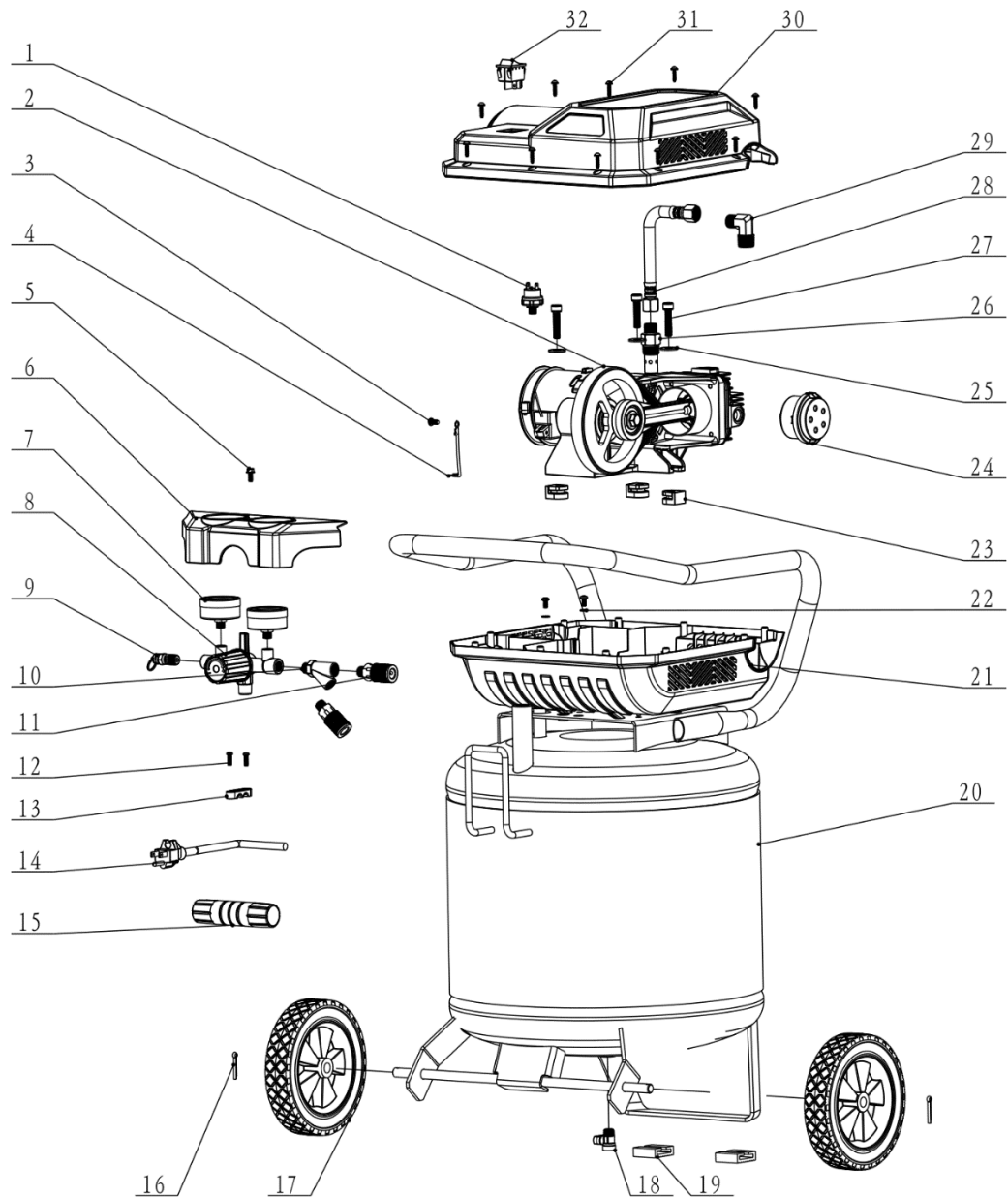
This warranty gives you specific legal rights, and you may also have other rights which vary from state to state. Some states do not allow a disclaimer of implied warranties or the exclusion or limitation of incidental and consequential damages, so the above disclaimers and exclusions may not apply to you.



CONTACT THE POWERTECH Asia Pacific Inc.,
PRODUCT SERVICE DEPARTMENT AT (02) 8 638 1569 | (+63) 9338373922
service@powertechasiapacific.com www.facebook.com/PromateServicePH/



Air Compressor Exploded View



NO.	Description	Qty	NO.	Description	Qty
1	Pressure Switch	1	17	Wheel	2
2	Motor Pump Assembly	1	18	Ball Valve	1
3	Screw M5x10	3	19	Rubber Foot	2
4	Ground Wire	1	20	Tank	1
5	Flange Bolt M5x12	1	21	Lower Cover	1
6	Control Panel	1	22	External Serrated Lock Washer φ5	2
7	Pressure Gauge	2	23	Cushion Pad	3
8	Pressure Regulator	1	24	Air Filter	1
9	Safety Valve	1	25	Flat Washers φ8	3
10	Tee Fitting	1	26	Check Valve	1
11	Quick Coupler	2	27	Hexagon Socket Bolt M8x35	3
12	Screw M5x14	2	28	Hose	1
13	Crimping Board	1	29	Elbow Fitting	1
14	Power Cord	1	30	Upper Cover	1
15	Handle Cover	1	31	Screw ST3.9x16F	10
16	Cotter Pin	2	32	Power Switch	1